



Village of Downers Grove

Report for the Village Council Meeting

Table 1 - Council Agenda item.

Subject	Authorization to Purchase a Replacement Vehicle
Submitted By	David Moody, Director of Public Works

Synopsis

A motion is requested to authorize the purchase of one Ford F600 Utility truck in the amount of \$173,828 with Morrow Brothers Ford of Greenfield, Illinois.

Strategic Plan Alignment

The goals for 2025-2027 include *Exceptional Municipal Services*.

Fiscal Impact

The fiscal year 2026 budget includes \$3,434,290 in the Equipment Replacement Fund for the purchase of this vehicle.

Recommendation

Approval on the May 05, 2026 Consent Agenda

Background

Table 2 – Vehicle to be purchased.

Quantity	Type of Vehicle	Make and Model	Dealer	Price
1	Water Department Utility Truck	2026 Ford F600	Morrow Brothers Ford / Koenig Body & Equipment	\$173,828

The Village's Fleet Team, consisting of representatives from the Village Manager's Office, Finance, Public Works, Police and Fire Departments evaluated the need to replace these vehicles. All Village vehicles and equipment are targeted for replacement according to useful lifecycle replacement criteria. These criteria include age, usage, condition, repair costs, fuel efficiency and environmental impact. The Fleet Team reviewed the vehicles scheduled to be replaced and determined that the criteria for replacement were met.

The Public Works Department vehicle being replaced is a Compressed Natural Gas (CNG) vehicle. With the planned decommission of the CNG fueling station this year, this vehicle must be replaced at this time. The Village has a long-standing commitment to its green fleet, when possible, preference will be given to hybrid or electric vehicles.

Table 3 - Vehicle being replaced.

Vehicle Unit #	Year	Make	Model
257	2014	FORD	F550 Super Duty CNG Pickup

Unit 257 is a 2014 Ford F550 Super Duty CNG dump truck that is used by the Water Department. It is being replaced with a 2026 Ford F600 chassis with custom utility body up-fit from Koenig Body and Equipment Inc. of Peoria, IL. This custom Utility build more closely aligns with the needs of the Water Department in their daily operations. This purchase is through the State of Illinois Master Joint Purchase Contract, P-29479, complying with the provisions of the Village Purchasing Policy.

Attachments

Purchase quote



Prepared by: John Wellenkamp
02/23/2026

Morrow Brothers Ford, Inc. | 1242 Main Street Greenfield Illinois | 62044

2026 F-600 Chassis 4x4 SD Regular Cab 169" WB DRW XL (F6L)

Price Level: 640 | Quote ID: DGroveF600

Warranty

Standard Warranty

Basic Warranty

Basic warranty 36 months/36,000 miles

Powertrain Warranty

Powertrain warranty 60 months/60,000 miles

Corrosion Perforation

Corrosion perforation warranty 60 months/unlimited

Roadside Assistance Warranty

Roadside warranty 60 months/60,000 miles

Additional Warranty

Diesel Engine Warranty

Diesel engine warranty 60 months/100,000 miles



Prepared by: John Wellenkamp
02/23/2026

Morrow Brothers Ford, Inc. | 1242 Main Street Greenfield Illinois | 62044

2026 F-600 Chassis 4x4 SD Regular Cab 169" WB DRW XL (F6L)

Price Level: 640 | Quote ID: DGroveF600

Pricing Summary - Single Vehicle

IL Government Vehicle Pricing- Includes New License/Title \$173,828.00

This unit is under the State of IL Master Joint Purchase Contract P-29479, of which Morrow Brothers Ford Inc is the Primary Contract Holder. This price includes the upfit from Koenig Body and Equipment.

Customer Signature

Acceptance Date

Prices and content availability as shown are subject to change and should be treated as estimates only. Actual base vehicle, package and option pricing may vary from this estimate because of special local pricing, availability or pricing adjustments not reflected in the dealer's computer system. See salesperson for the most current information.



Prepared by: John Wellenkamp
02/23/2026

Morrow Brothers Ford, Inc. | 1242 Main Street Greenfield Illinois | 62044

2026 F-600 Chassis 4x4 SD Regular Cab 169" WB DRW XL (F6L)

Price Level: 640 | Quote ID: DGroveF600

As Configured Vehicle

Description

Base Vehicle Price (F6L)

Order Code 680A

Engine: 6.7L 4V OHV Power Stroke V8 Turbo Diesel B20

Transmission: TorqShift 10-Speed Automatic

GVWR: 22,000 lbs Payload Package

Tires: 245/70Rx19.5 BSW Traction (6)

Wheels: 19.5" x 6.75" Argent Painted Steel

HD Vinyl 40/20/40 Split Bench Seat

Monotone Paint Application

169" Wheelbase

Radio: AM/FM Stereo w/MP3 Player

XL Chrome Package

Snow Plow Prep Package

Engine Block Heater

Transfer Case Skid Plates

Dual 68 AH/65 AGM Battery

350 Amp Dual Alternators

Platform Running Boards

Rear View Camera & Prep Kit

Trailer Brake Controller

Pro Power Onboard - 400W Outlet

Front Wheel Well Liner (Pre-Installed)

Fleet Customer Powertrain Limited Warranty

50-State Emissions System

Oxford White

Prices and content availability as shown are subject to change and should be treated as estimates only. Actual base vehicle, package and option pricing may vary from this estimate because of special local pricing, availability or pricing adjustments not reflected in the dealer's computer system. See salesperson for the most current information.



Prepared by: John Wellenkamp
02/23/2026

Morrow Brothers Ford, Inc. | 1242 Main Street Greenfield Illinois | 62044

2026 F-600 Chassis 4x4 SD Regular Cab 169" WB DRW XL (F6L)

Price Level: 640 | Quote ID: DGroveF600

As Configured Vehicle (cont'd)

Description

Medium Dark Slate w/HD Vinyl 40/20/40 Split Bench Seat



Prepared by: John Wellenkamp

02/23/2026

Morrow Brothers Ford, Inc. | 1242 Main Street Greenfield Illinois | 62044

2026 F-600 Chassis 4x4 SD Regular Cab 169" WB DRW XL (F6L)

Price Level: 640 | Quote ID: DGroveF600

Selected Equip & Specs

Dimensions

- Conventional Capacity: 18,500 lbs.
- * **Fifth-wheel towing capacity: 34,000 lbs.**
- Front brake diameter: 15.4"
- Vehicle body length: 254.8"
- Vehicle body height: 81.9"
- Vehicle turning radius: 24.2'
- Rear track: 74.0"
- Rear tire outside width: 93.9"
- Frame section modulus: 12.7 cu.in.
- Frame rail width: 34.2"
- Front bumper to back of cab: 123.7"
- Max interior rear cargo volume: 11.6 cu.ft.
- Headroom first-row: 40.8"
- Shoulder room first-row: 66.7"
- * **GCWR: 43,500 lbs.**
- * **Gooseneck towing capacity: 34,200 lbs.**
- Rear brake diameter: 15.8"
- Vehicle body width: 80.0"
- Wheelbase: 169.0"
- Front track: 74.8"
- Cab to axle: 84.0"
- Axle to end of frame: 47.2"
- Frame yield strength (psi): 50000.0
- Front bumper to front axle: 38.3"
- Interior rear cargo volume: 11.6 cu.ft.
- Total passenger volume: 64.6 cu.ft.
- Leg room first-row: 43.9"
- Hip room first-row: 62.5"

Powertrain

- * **Compression ignition system**
- Engine cylinders: V-8
- * **Torque: 950 lb.-ft.@1800 RPM**
- Radiator
- Auxiliary power take-off
- Part-time 4WD
- Two-Speed Transfer Case
- Driveline managed traction control
- Mechanical limited slip differential
- * **Powerstroke 6.7L V-8 diesel direct injection, DEVCT intercooled turbo, diesel, engine with 330HP**
- * **Horsepower: 330 HP@2200 RPM**
- * **Engine block heater**
- * **Engine retarder system**
- 10-speed automatic
- Four-wheel drive
- * **Recommended fuel: diesel**
- Electronic transfer case shift
- Auto locking hub control

Fuel Economy and Emissions

- * **Diesel secondary fuel type**
- Federal emissions

Suspension and Handling

- Firm ride suspension
- Heavy-duty rear shock absorbers
- Heavy-duty front shock absorbers

Driveability

- 4-wheel disc brakes
- 4-wheel antilock (ABS) brakes
- Brake assist system
- Front and rear ventilated disc brakes
- Four channel ABS brakes
- Hill Start Assist

Prices and content availability as shown are subject to change and should be treated as estimates only. Actual base vehicle, package and option pricing may vary from this estimate because of special local pricing, availability or pricing adjustments not reflected in the dealer's computer system. See salesperson for the most current information.



Prepared by: John Wellenkamp

02/23/2026

Morrow Brothers Ford, Inc. | 1242 Main Street Greenfield Illinois | 62044

2026 F-600 Chassis 4x4 SD Regular Cab 169" WB DRW XL (F6L)

Price Level: 640 | Quote ID: DGroveF600

Selected Equip & Specs (cont'd)

- Mono-beam rigid axle front suspension
- Front coil springs
- Rear anti-roll bar
- Hydraulic power-assist steering system
- 2-wheel steering system
- Front anti-roll bar
- DANA M300 rigid axle rear suspension
- Leaf spring rear suspension
- Re-circulating ball steering

Body Exterior

- Trailer wiring harness
- 2 doors
- Black fender flares
- Black door handles
- * **Chrome front bumper**
- * **Body-coloured front bumper rub strip**
- Convex spotter in driver and passenger side door mirrors
- Turn signal indicator in door mirrors
- * **LT245/70RS19.5 AT BSW front and rear tires**
- * **Running boards**
- Monotone paint
- Black side window trim
- Black windshield trim
- 2 front tow hooks
- * **Black grille with chrome accents**
- Manual extendable trailer mirrors
- Black door mirrors
- 19.5 x 6.75-inch front and dual rear argent steel wheels

Convenience

- Power door locks with 2 stage unlocking
- All-in-one remote fob and ignition key
- Cruise control with steering wheel mounted controls
- Day/Night rearview mirror
- Fixed rear windshield
- Locking glove box
- Instrument panel covered bin
- Retained accessory power
- Upfitter switches
- PRND in IP
- Keyfob activated door locks
- Auto-locking doors
- * **Keyfob remote vehicle start**
- Power first-row windows
- Front beverage holders
- 6 beverage holders
- Dashboard storage
- Trip computer
- Over the air updates

Comfort

- Manual climate control
- Cloth headliner material
- Full vinyl floor covering
- Urethane steering wheel
- Manual telescopic steering wheel
- Cabin air filter
- Full headliner coverage
- Full floor coverage
- Manual tilting steering wheel

Seats and Trim

- Seating capacity: 3
- Driver seat with 4-way directional controls
- 40-20-40 split-bench front seat
- Front passenger seat with 4-way directional controls

Prices and content availability as shown are subject to change and should be treated as estimates only. Actual base vehicle, package and option pricing may vary from this estimate because of special local pricing, availability or pricing adjustments not reflected in the dealer's computer system. See salesperson for the most current information.



Prepared by: John Wellenkamp
02/23/2026

Morrow Brothers Ford, Inc. | 1242 Main Street Greenfield Illinois | 62044

2026 F-600 Chassis 4x4 SD Regular Cab 169" WB DRW XL (F6L)

Price Level: 640 | Quote ID: DGroveF600

Selected Equip & Specs (cont'd)

- Height adjustable front seat head restraints
- Split-bench front seat
- Front seat armrest storage
- Manual driver seat fore/aft control
- Manual passenger seat fore/aft control
- Vinyl front seat upholstery
- Manual front seat head restraint control
- Front seat center armrest
- Manual reclining driver seat
- Manual reclining passenger seat
- Manual driver seat lumbar

Entertainment Features

- 2 total number of 1st row displays
- Primary touchscreen display
- AM/FM
- AM radio
- Seek scan
- Standard grade speakers
- Steering wheel mounted audio controls
- Speed sensitive volume
- 8 inch primary display
- AM/FM stereo radio
- In-vehicle audio
- FM radio
- SYNC 4 external memory control
- Speakers number: 4
- SYNC 4 voice activated audio controls
- Fixed audio antenna

Lighting, Visibility and Instrumentation

- Digital/analog instrumentation display
- Trip odometer
- Compass
- Driver information center
- Engine/electric motor temperature gauge
- Transmission fluid temperature gauge
- * **Diesel exhaust fluid (def) gauge**
- Light tinted windows
- Halogen headlights
- Multiple enclosed headlights
- DRL preference setting
- Illuminated entry
- Variable instrument panel light
- Cab clearance lights
- * **Front fog lights**
- Configurable instrumentation gauges
- Digital clock
- Exterior temperature display
- Tachometer
- * **Turbo/supercharger boost gauge**
- Engine hour meter
- Gauge cluster display size (inches): 4.20
- Reflector headlights
- Autolamp auto on/off headlight control
- Delay-off headlights
- Variable intermittent front windshield wipers
- Front reading lights
- Daytime running lights
- Remote activated perimeter approach lighting
- Fade interior courtesy lights

Technology and Telematics

- SYNC 4 911 Assist emergency SOS system via mobile device
- Smart device wireless mirroring
- 5G Modem - Ford Connectivity Package mobile hotspot internet access
- SYNC 4 handsfree wireless device connectivity
- Ford App mobile app access
- 2 USB ports

Prices and content availability as shown are subject to change and should be treated as estimates only. Actual base vehicle, package and option pricing may vary from this estimate because of special local pricing, availability or pricing adjustments not reflected in the dealer's computer system. See salesperson for the most current information.



Prepared by: John Wellenkamp
02/23/2026

Morrow Brothers Ford, Inc. | 1242 Main Street Greenfield Illinois | 62044

2026 F-600 Chassis 4x4 SD Regular Cab 169" WB DRW XL (F6L)

Price Level: 640 | Quote ID: DGroveF600

Selected Equip & Specs (cont'd)

Safety and Security

- Driver front impact airbag
- Safety Canopy System curtain first-row overhead airbags
- Seat mounted side impact front passenger airbag
- Front height adjustable seatbelts
- Ford Security Package (1-year included with activation) security system
- Lane Departure Warning
- * **Rear mounted camera**
- Seat mounted side impact driver airbag
- Cancellable front passenger air bag
- 6 airbags
- SecuriLock immobilizer
- Remote panic alarm
- Pre-Collision Assist with Automatic Emergency Braking (AEB) forward collision mitigation
- AdvanceTrac w/Roll Stability Control electronic stability control system with anti-rollover

Dimensions

General Weights

* Curb weight	7,896 lbs.	* Rear curb weight	3,200 lbs.
GVWR	22,000 lbs.	* Payload	14,020 lbs.

Trailer Weights

* Fifth-wheel towing capacity	34,000 lbs.	* Gooseneck towing capacity	34,200 lbs.
Conventional capacity	18,500 lbs.	* GCWR	43,500 lbs.

Front Weights

* Front curb weight	4,696 lbs.	GAWR front	7,500 lbs.
Axle capacity front	7,500 lbs.	Spring rating front	7,500 lbs.
Tire/wheel capacity front	9,080 lbs.		

Rear Weights

GAWR rear	15,500 lbs.	Axle capacity rear	15,500 lbs.
Spring rating rear	15,500 lbs.	Tire/wheel capacity rear	17,200 lbs.

Off Road

Min ground clearance	9.1"
----------------------------	------

Exterior Measurements

Vehicle body length	254.8"	Vehicle body width	80.0"
Vehicle body height	81.9"	Wheelbase	169.0"
Front brake diameter	15.4"	Rear brake diameter	15.8"
Rear frame height loaded	30.5"	Rear frame height unloaded	35.0"
Front track	74.8"	Rear track	74.0"
Vehicle turning radius	24.2'	Cab to axle	84.0"
Rear tire outside width	93.9"	Axle to end of frame	47.2"

Prices and content availability as shown are subject to change and should be treated as estimates only. Actual base vehicle, package and option pricing may vary from this estimate because of special local pricing, availability or pricing adjustments not reflected in the dealer's computer system. See salesperson for the most current information.



Prepared by: John Wellenkamp
02/23/2026

Morrow Brothers Ford, Inc. | 1242 Main Street Greenfield Illinois | 62044

2026 F-600 Chassis 4x4 SD Regular Cab 169" WB DRW XL (F6L)

Price Level: 640 | Quote ID: DGroveF600

Selected Equip & Specs (cont'd)

Frame section modulus	12.7 cu.in.	Frame yield strength (psi)	50000.0
Frame rail width	34.2"	Front bumper to front axle	38.3"
Front bumper to back of cab	123.7"		

Interior Measurements

Interior rear cargo volume	11.6 cu.ft.	Max interior rear cargo volume	11.6 cu.ft.
----------------------------------	-------------	--------------------------------------	-------------

Interior Volume

Total passenger volume	64.6 cu.ft.
------------------------------	-------------

Headroom

Headroom first-row	40.8"
--------------------------	-------

Legroom

Leg room first-row	43.9"
--------------------------	-------

Shoulder Room

Shoulder room first-row	66.7"
-------------------------------	-------

Hip Room

Hip room first-row	62.5"
--------------------------	-------

Powertrain

Engine

* Engine	Powerstroke 6.7L V-8 diesel direct injection, DEVCT intercooled turbo, diesel, engine with 330HP	* Valves per cylinder	4
Engine cylinders	V-8	Engine location	Front mounted engine
* Ignition	Compression ignition system	Engine mounting direction	Longitudinal mounted engine
Engine block material	Iron engine block	Cylinder head material	Aluminum cylinder head

Engine Specs

* Displacement	6.7L	* cc	405.9 cu.in.
* Bore	3.9"	* Stroke	4.25"
* Compression ratio	15.2	SAEJ1349	AUG2004 compliant

Engine Power

* Horsepower	330 HP@2200 RPM	* Torque	950 lb.-ft.@1800 RPM
---------------------------	------------------------	-----------------------	-----------------------------

Alternator

Alternator amps	190A	* Alternator type	Dual alternator
* Alternator rating	160A		

Battery

Prices and content availability as shown are subject to change and should be treated as estimates only. Actual base vehicle, package and option pricing may vary from this estimate because of special local pricing, availability or pricing adjustments not reflected in the dealer's computer system. See salesperson for the most current information.



Prepared by: John Wellenkamp

02/23/2026

Morrow Brothers Ford, Inc. | 1242 Main Street Greenfield Illinois | 62044

2026 F-600 Chassis 4x4 SD Regular Cab 169" WB DRW XL (F6L)

Price Level: 640 | Quote ID: DGroveF600

Selected Equip & Specs (cont'd)

Battery amps 68Ah

Battery rating 750CCA

* **Battery type** **Dual lead acid battery**

Battery run down protection Battery run down protection

Engine Extras

* **Block heater** **Engine block heater**

Auxiliary power take-off Auxiliary power take-off

Radiator Radiator

* **Engine retarder** **Engine retarder system**

Transmission

Transmission 10-speed automatic

Overdrive transmission Overdrive transmission

First gear ratio 4.615

Third gear ratio 2.132

Fifth gear ratio 1.519

Reverse gear ratio 4.695

Eighth gear ratio 0.851

Tenth gear ratio 0.632

Selectable mode transmission Selectable mode transmission

Transmission oil cooler Transmission oil cooler

Transmission electronic control Transmission electronic control

Lock-up transmission Lock-up transmission

Second gear ratio 2.919

Fourth gear ratio 1.773

Sixth gear ratio 1.277

Seventh gear ratio 1

Ninth gear ratio 0.687

Stall ratio 1.97

Sequential shift control SelectShift Sequential shift control

PTO transmission provision PTO transmission provision

Drive Type

4WD type Part-time 4WD

Drive type Four-wheel drive

Drivetrain

* **Axle ratio** **4.3**

Exhaust

Tailpipe Stainless steel single exhaust

Fuel

* **Fuel type** **diesel**

Fuel Tank

* **DEF capacity** **7.20 gal.**

Fuel tank capacity 40.00 gal.

Drive Feature

Limited slip differential Mechanical limited slip differential

Locking hub control Auto locking hub control

Traction control Driveline managed traction control

Transfer case Electronic transfer case shift

Provisions

* **Provisions** **Snow plow provisions**

Prices and content availability as shown are subject to change and should be treated as estimates only. Actual base vehicle, package and option pricing may vary from this estimate because of special local pricing, availability or pricing adjustments not reflected in the dealer's computer system. See salesperson for the most current information.



Prepared by: John Wellenkamp
02/23/2026

Morrow Brothers Ford, Inc. | 1242 Main Street Greenfield Illinois | 62044

2026 F-600 Chassis 4x4 SD Regular Cab 169" WB DRW XL (F6L)

Price Level: 640 | Quote ID: DGroveF600

Selected Equip & Specs (cont'd)

Fuel Economy and Emissions

Fuel Economy

* Secondary fuel type ... Diesel secondary fuel type

Emissions

Emissions Federal emissions

Suspension and Handling

Suspension

Suspension Firm ride suspension

Front shock absorbers Heavy-duty front shock absorbers

Rear shock absorbers Heavy-duty rear shock absorbers

Driveability

Brakes

Brake type 4-wheel disc brakes

Ventilated brakes Front and rear ventilated disc brakes

ABS brakes Four channel ABS brakes

ABS brakes 4-wheel antilock (ABS) brakes

Brake Assistance

Hill start assist Hill Start Assist

Brake assist system Brake assist system

Front Suspension

Front anti-roll Front anti-roll bar

Suspension ride type front Mono-beam rigid axle front suspension

Front Spring

HD front springs Heavy-duty front springs

Springs front Front coil springs

Rear Spring

Springs rear Rear leaf springs

Rear springs Heavy-duty rear springs

Rear Suspension

Rear anti-roll Rear anti-roll bar

Suspension type rear Leaf spring rear suspension

Suspension ride type rear DANA M300 rigid axle rear suspension

Steering

Steering Hydraulic power-assist steering system

Steering type Re-circulating ball steering

Steering type number of wheels 2-wheel steering system

Prices and content availability as shown are subject to change and should be treated as estimates only. Actual base vehicle, package and option pricing may vary from this estimate because of special local pricing, availability or pricing adjustments not reflected in the dealer's computer system. See salesperson for the most current information.



Prepared by: John Wellenkamp
02/23/2026

Morrow Brothers Ford, Inc. | 1242 Main Street Greenfield Illinois | 62044

2026 F-600 Chassis 4x4 SD Regular Cab 169" WB DRW XL (F6L)

Price Level: 640 | Quote ID: DGroveF600

Selected Equip & Specs (cont'd)

Exterior

Front Wheels

Front wheels diameter 19.5" Front wheels width 6.8"

Rear Wheels

Rear wheels diameter 19.5" Rear wheels width 6.8"

Front And Rear Wheels

Appearance argent Material steel

Front Tires

Aspect 70 Diameter 19.5"
Sidewalls BSW Speed S
* **Tread** **AT** Type LT
Width 245mm Front wheel - RPM 611

Rear Tires

Aspect 70 Diameter 19.5"
Sidewalls BSW Speed S
* **Tread** **AT** Type LT
Width 245mm Rear wheel - RPM 611

Body Exterior

Trailer

Towing wiring harness Trailer wiring harness * **Towing brake controller** **Trailer brake controller**
Towing trailer sway Trailer sway control

Exterior Features

Number of doors 2 doors * **Running boards** **Running boards**
* **Skid plate** **1 underbody skid plate** Front splash guards Front splash guards

Body

Body panels Aluminum body panels with side impact beams

Mirrors

Convex spotter Convex spotter in driver and passenger side door mirrors Turn signal in door mirrors Turn signal indicator in door mirrors

Tires

Front tires LT load rating G Rear tires LT load rating G

Wheels

Prices and content availability as shown are subject to change and should be treated as estimates only. Actual base vehicle, package and option pricing may vary from this estimate because of special local pricing, availability or pricing adjustments not reflected in the dealer's computer system. See salesperson for the most current information.



Prepared by: John Wellenkamp

02/23/2026

Morrow Brothers Ford, Inc. | 1242 Main Street Greenfield Illinois | 62044

2026 F-600 Chassis 4x4 SD Regular Cab 169" WB DRW XL (F6L)

Price Level: 640 | Quote ID: DGroveF600

Selected Equip & Specs (cont'd)

Dual rear wheels Dual rear wheels

Convenience

Door Locks

Door locks Power door locks with 2 stage unlocking
 All-in-one key All-in-one remote fob and ignition key

Keyfob door locks Keyfob activated door locks
 Auto door locks Auto-locking doors

Cruise Control

Cruise control Cruise control with steering wheel
 mounted controls

Key Fob Controls

* **Fob remote vehicle controls** **Keyfob remote
 vehicle start**

Rear View Mirror

Day/Night rearview mirror Day/Night rearview mirror

Exterior Mirrors

Door mirrors Power door mirrors
 Heated door mirrors Heated driver and passenger
 side door mirrors

Folding door mirrors Manual folding door mirrors

Front Side Windows

First-row windows Power first-row windows

Overhead Console

Overhead console Full overhead console

Overhead console storage Overhead console storage

Passenger Visor

Visor passenger mirror Passenger visor mirror

Power Outlets

12V power outlets 2 12V power outlets

* **120V AC power outlets** **1 120V AC power outlet**

Rear Windshield

Rear windshield Fixed rear windshield

Storage

Number of beverage holders 6 beverage holders
 Glove box Locking glove box

Beverage holders Front beverage holders
 Instrument panel storage Instrument panel covered
 bin

Dashboard storage Dashboard storage

Windows Feature

One-touch up window Driver and passenger one-
 touch up windows

One-touch down window Driver and passenger one-
 touch down windows

Prices and content availability as shown are subject to change and should be treated as estimates only. Actual base vehicle, package and option pricing may vary from this estimate because of special local pricing, availability or pricing adjustments not reflected in the dealer's computer system. See salesperson for the most current information.



Prepared by: John Wellenkamp
02/23/2026

Morrow Brothers Ford, Inc. | 1242 Main Street Greenfield Illinois | 62044

2026 F-600 Chassis 4x4 SD Regular Cab 169" WB DRW XL (F6L)

Price Level: 640 | Quote ID: DGroveF600

Selected Equip & Specs (cont'd)

Miscellaneous

Trip computer	Trip computer	PRND in IP	PRND in IP
Upfitter switches	Upfitter switches	Accessory power	Retained accessory power
Over the air updates	Over the air updates		

Comfort

Climate Control

Climate control	Manual climate control	Cabin air filter	Cabin air filter
-----------------------	------------------------	------------------------	------------------

Headliner

Headliner material	Cloth headliner material	Headliner coverage	Full headliner coverage
--------------------------	--------------------------	--------------------------	-------------------------

Floor Trim

Floor covering	Full vinyl floor covering	Floor coverage	Full floor coverage
----------------------	---------------------------	----------------------	---------------------

Steering Wheel

Steering wheel material	Urethane steering wheel	Steering wheel telescopic	Manual telescopic steering wheel
Steering wheel tilt	Manual tilting steering wheel		

Seats and Trim

Seat Capacity

Seating capacity	3
------------------------	---

Front Seats

Front seat type	Split-bench front seat	Driver seat direction	Driver seat with 4-way directional controls
Driver seat fore/aft control	Manual driver seat fore/aft control	Passenger seat direction	Front passenger seat with 4-way directional controls
Split front seats	40-20-40 split-bench front seat	Reclining passenger seat	Manual reclining passenger seat
Passenger seat fore/aft control	Manual passenger seat fore/aft control	Front head restraints	Height adjustable front seat head restraints
Front head restraint control	Manual front seat head restraint control	Armrests front center	Front seat center armrest
Armrests front storage	Front seat armrest storage	Reclining driver seat	Manual reclining driver seat

Lumbar Seats

Driver lumbar	Manual driver seat lumbar
---------------------	---------------------------

Front Seat Trim

Front seat upholstery	Vinyl front seat upholstery	Front seatback upholstery	Vinyl front seatback upholstery
-----------------------------	-----------------------------	---------------------------------	---------------------------------

Prices and content availability as shown are subject to change and should be treated as estimates only. Actual base vehicle, package and option pricing may vary from this estimate because of special local pricing, availability or pricing adjustments not reflected in the dealer's computer system. See salesperson for the most current information.



Prepared by: John Wellenkamp
02/23/2026

Morrow Brothers Ford, Inc. | 1242 Main Street Greenfield Illinois | 62044

2026 F-600 Chassis 4x4 SD Regular Cab 169" WB DRW XL (F6L)

Price Level: 640 | Quote ID: DGroveF600

Selected Equip & Specs (cont'd)

Interior Accents

Interior accents Chrome interior accents

Gearshifter Material

Gearshifter material Urethane gear shifter material

Entertainment Features

Displays

Primary touchscreen display Primary touchscreen display
Number of first-row displays 2 total number of 1st row displays

Primary display size 8 inch primary display

Radio Features

External memory SYNC 4 external memory control
Seek scan Seek scan

Speakers

Speakers Standard grade speakers
Speakers number 4

Audio Features

Steering mounted audio control Steering wheel
mounted audio controls
Speed sensitive volume Speed sensitive volume

Voice activated audio SYNC 4 voice activated audio
controls

Lighting, Visibility and Instrumentation

Instrumentation

Trip odometer Trip odometer
Instrumentation display Digital/analog instrumentation
display

Configurable instrumentation gauges Configurable
instrumentation gauges

Instrumentation Displays

Temperature display Exterior temperature display
Driver information center Driver information center

Clock Digital clock
Compass Compass

Instrumentation Gauges

Tachometer Tachometer
Transmission temperature gauge Transmission fluid
temperature gauge

* Turbo gauge Turbo/supercharger boost gauge
Engine/electric motor temperature
gauge Engine/electric motor temperature gauge

Gauge cluster display size (inches) 4.20
Engine hour meter Engine hour meter

* DEF fluid gauge Diesel exhaust fluid (def) gauge

Instrumentation Warnings



Prepared by: John Wellenkamp

02/23/2026

Morrow Brothers Ford, Inc. | 1242 Main Street Greenfield Illinois | 62044

2026 F-600 Chassis 4x4 SD Regular Cab 169" WB DRW XL (F6L)

Price Level: 640 | Quote ID: DGroveF600

Selected Equip & Specs (cont'd)

Engine temperature warning Engine temperature warning

Low fuel warning Low fuel warning

Battery charge warning Battery charge warning

Key in vehicle warning Key in vehicle warning

Service interval warning Service interval indicator

*** Low diesel exhaust fluid (DEF) warning**
Low diesel exhaust fluid (DEF) warning

Glass

Tinted windows Light tinted windows

Headlights

Headlights Halogen headlights

Auto headlights Autolamp auto on/off headlight control

Delay off headlights Delay-off headlights

Front Windshield

Wipers Variable intermittent front windshield wipers

Interior Lighting

Illuminated entry Illuminated entry

Front reading lights Front reading lights

Lights

Running lights Daytime running lights

*** Fog lights** **Front fog lights**

Perimeter approach lighting Remote activated perimeter approach lighting

Oil pressure warning Oil pressure warning

Low brake fluid warning Low brake fluid warning

Headlights on reminder Headlights on reminder

Door ajar warning Door ajar warning

Low tire pressure warning Tire specific low air pressure warning

Headlight type Reflector headlights

Multiple headlights Multiple enclosed headlights

DRL preference setting DRL preference setting

Variable panel light Variable instrument panel light

Interior courtesy lights Fade interior courtesy lights

Clearance lights Cab clearance lights

Smart device integration Smart device wireless mirroring

Technology and Telematics

Connectivity

Handsfree SYNC 4 handsfree wireless device connectivity

Emergency SOS SYNC 4 911 Assist emergency SOS system via mobile device

Internet Access

Internet access 5G Modem - Ford Connectivity

Package mobile hotspot internet access

USB Ports

USB ports 2 USB ports

Prices and content availability as shown are subject to change and should be treated as estimates only. Actual base vehicle, package and option pricing may vary from this estimate because of special local pricing, availability or pricing adjustments not reflected in the dealer's computer system. See salesperson for the most current information.



Prepared by: John Wellenkamp
02/23/2026

Morrow Brothers Ford, Inc. | 1242 Main Street Greenfield Illinois | 62044

2026 F-600 Chassis 4x4 SD Regular Cab 169" WB DRW XL (F6L)

Price Level: 640 | Quote ID: DGroveF600

Selected Equip & Specs (cont'd)

Safety and Security

Airbags

Front impact airbag driver	Driver front impact airbag	Number of airbags	6 airbags
Front impact airbag passenger	Cancellable front passenger air bag	Front side impact airbag driver	Seat mounted side impact driver airbag
Front side impact airbag passenger	Seat mounted side impact front passenger airbag	Overhead airbags	Safety Canopy System curtain first-row overhead airbags

Seatbelts

Height adjustable seatbelts	Front height adjustable seatbelts
-----------------------------	-----------------------------------

Security System

Immobilizer	SecuriLock immobilizer	Remote panic alarm	Remote panic alarm
Security system	Ford Security Package (1-year included with activation) security system		

Active Driving Assistance

Lane departure	Lane Departure Warning	Forward collision warning	Pre-Collision Assist with Automatic Emergency Braking (AEB) forward collision mitigation
----------------	------------------------	---------------------------	--

Cameras

*Rear camera	Rear mounted camera
--------------	---------------------

Traction Control

Electronic stability control	AdvanceTrac w/Roll Stability Control electronic stability control system with anti-rollover
------------------------------	---



Prepared by: John Wellenkamp

02/23/2026

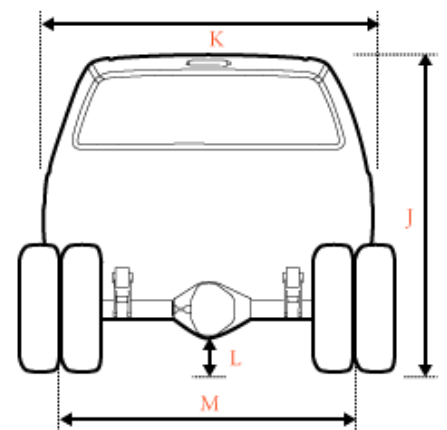
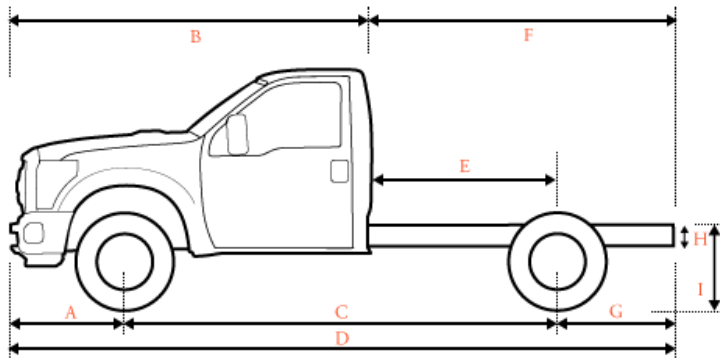
Morrow Brothers Ford, Inc. | 1242 Main Street Greenfield Illinois | 62044

2026 F-600 Chassis 4x4 SD Regular Cab 169" WB DRW XL (F6L)

Price Level: 640 | Quote ID: DGroveF600

Vehicle Dimension and Performance Summary

Performance predictions in this report represent an estimate of vehicle performance based on standard operating conditions. Variations in customer equipment, load configuration, ambient conditions, and/or operator driving techniques can cause significant variations in vehicle performance. These values are not representative of results that may be shown in actual dynamometer tests. This report should therefore be used as a guide for comparative vehicle performance.



Dimensions

A	Front of Bumper to Front Axle	38.30 in.
B	Front Bumper to Back of Cab (BBC)	123.70 in.
C	Wheelbase (WB)	169.00 in.
D	Overall Length (OAL)	254.80 in.
E	Back of Cab to Rear Axle (CA)	84.00 in.
F	Back of Cab to End of Frame	131.20 in.
G	Rear Axle to End of Frame (AF)	47.20 in.
H	Frame Section Height	N/A
I	Rear Frame Height Unloaded	35.00 in.
I	Rear Frame Height Loaded	30.50 in.
J	Cab Height	81.90 in.
K	Body Width	80.00 in.
L	Maximum Ground Clearance	N/A
L	Minimum Ground Clearance	9.10 in.
M	Front Tread	74.80 in.
M	Rear Tread	74.00 in.

Prices and content availability as shown are subject to change and should be treated as estimates only. Actual base vehicle, package and option pricing may vary from this estimate because of special local pricing, availability or pricing adjustments not reflected in the dealer's computer system. See salesperson for the most current information.



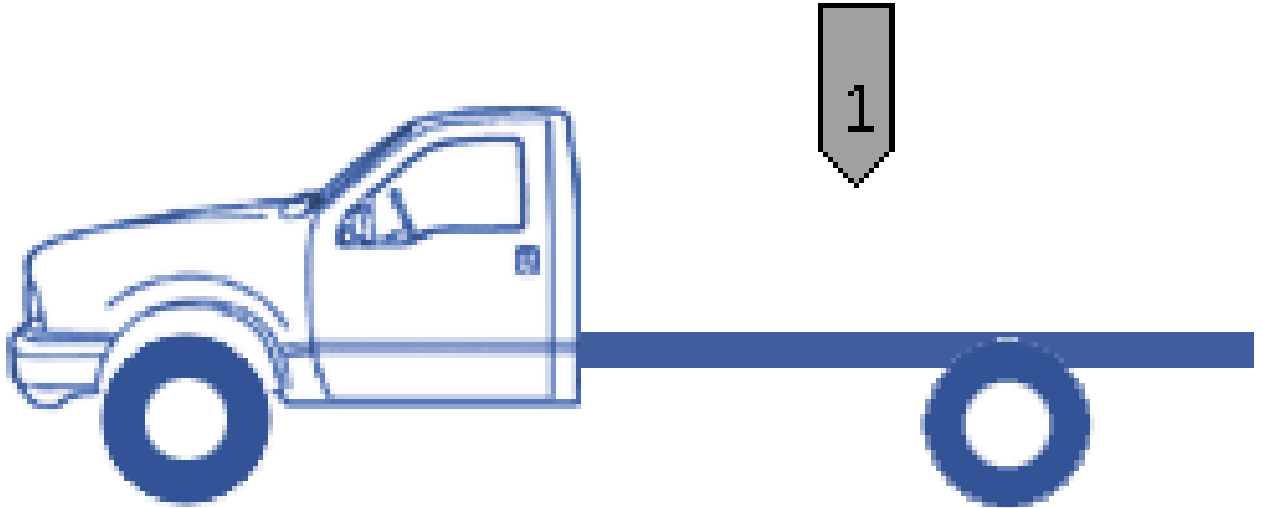
Prepared by: John Wellenkamp
02/23/2026

Morrow Brothers Ford, Inc. | 1242 Main Street Greenfield Illinois | 62044

2026 F-600 Chassis 4x4 SD Regular Cab 169" WB DRW XL (F6L)

Price Level: 640 | Quote ID: DGroveF600

Vehicle Dimension and Performance Summary (cont'd)



Weight

GVW	Front Axle	Rear Axle	Totals
Chassis	4,696 lbs	3,200 lbs	7,896 lbs
Body	0 lbs	0 lbs	0 lbs
Occupants Weight	300 lbs	150 lbs	450 lbs
1 Max Payload - (Max Payload)	2,504 lbs	12,150 lbs	14,654 lbs
TOTAL	7,500 lbs	15,500 lbs	23,000 lbs

Ratings	Front Axle	Rear Axle	GVWR
GAWR	7,500 lbs	15,500 lbs	22,000 lbs
Wheels/Tires	9,080 lbs	17,200 lbs	
Suspension	7,500 lbs	15,500 lbs	
Axle	7,500 lbs	15,500 lbs	
Legal Axle Limit	0 lbs	0 lbs	

Prices and content availability as shown are subject to change and should be treated as estimates only. Actual base vehicle, package and option pricing may vary from this estimate because of special local pricing, availability or pricing adjustments not reflected in the dealer's computer system. See salesperson for the most current information.



Prepared by: John Wellenkamp

02/23/2026

Morrow Brothers Ford, Inc. | 1242 Main Street Greenfield Illinois | 62044

2026 F-600 Chassis 4x4 SD Regular Cab 169" WB DRW XL (F6L)

Price Level: 640 | Quote ID: DGroveF600

Vehicle Dimension and Performance Summary (cont'd)

Start, Grade and Speed

Start	Ratio	Desired	Calculated
Start grade capability in 1st gear	4.62	15.00 %	48.20 %
Start grade capability in reverse	4.70	15.00 %	49.03 %
Grade	Ratio	Desired	Calculated
Maximum grade in 8th gear	0.85	3.00 %	9.02 %
Maximum grade in 9th gear	0.69	3.00 %	7.28 %
Maximum grade in 10th gear	0.63	3.00 %	6.70 %
Speed		Desired	Calculated
Top Speed (level grade)		75 mph	95 mph
<i>To meet your requirement you need a maximum axle ratio of 5.47</i>			
Top Speed on 3% grade		55 mph	
<i>To meet your requirement you need a maximum of 133 hp</i>			
Cruise Speed		60 mph	83 mph
Engine RPM at desired cruise speed			1,660 rpm

Variables in Use

Start

Rear axle ratio:	4.30	Clutch engagement torque:	475 ft.lbs.
Tire size:	245/70R19.5 (611 rev/mile)	Torque conversion ratio:	1.97
Gross Vehicle Weight (GVW):	22,000 lbs		

Grade

Rear axle ratio:	4.30	Gross Vehicle Weight (GVW):	22,000 lbs
Tire size:	245/70R19.5 (611 rev/mile)	Peak engine torque:	950 ft.lbs.

Speed

Engine Power:	330 hp @ 2,200 rpm	Worst road surface	Typical Highway
Governed RPM:	2,640 rpm	Final Drive Ratio:	0.63
Frontal Area:	40.50 ft ²	Drag Coefficient	0.80
Cruising RPM	2,300 rpm		

Prices and content availability as shown are subject to change and should be treated as estimates only. Actual base vehicle, package and option pricing may vary from this estimate because of special local pricing, availability or pricing adjustments not reflected in the dealer's computer system. See salesperson for the most current information.



Prepared by: John Wellenkamp
02/23/2026

Morrow Brothers Ford, Inc. | 1242 Main Street Greenfield Illinois | 62044

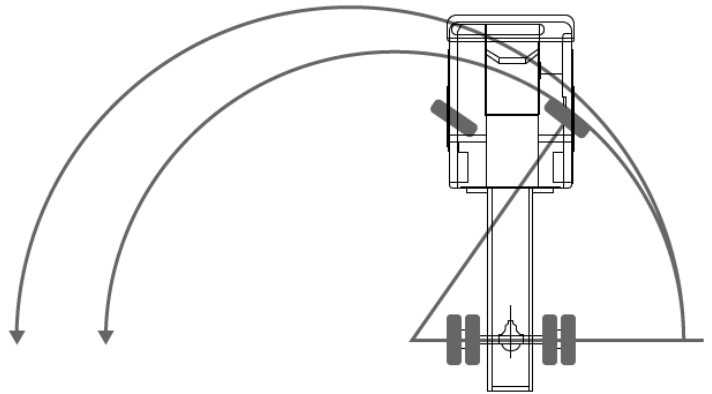
2026 F-600 Chassis 4x4 SD Regular Cab 169" WB DRW XL (F6L)

Price Level: 640 | Quote ID: DGroveF600

Vehicle Dimension and Performance Summary (cont'd)

Turning Radius

Turning Radius 24.25 ft



Prices and content availability as shown are subject to change and should be treated as estimates only. Actual base vehicle, package and option pricing may vary from this estimate because of special local pricing, availability or pricing adjustments not reflected in the dealer's computer system. See salesperson for the most current information.

KOENIG BODY AND EQUIPMENT, INC.

www.koenigbody.com

2428 Farmington Road, Peoria, IL 61604
 Ph.: (309) 673-7435 or (800) 767-7406
 Fax: (309) 673-6836



You name it... We can build it!



ASE Certified
Technicians

QUOTE [X]
 ESTIMATE []
 ORDER []

TO: VILLAGE OF DOWNERS GROVE
 ADDRESS:
 CITY: DOWNERS GROVE, ILL

DATE: 02/18/2026
 PHONE: 452-8392
 FAX:

ATTN: TIM VOS

F-600

84" CA auto

TRUCK QUANTITY	WHEELBASE DESCRIPTION	COLOR	CAB TO AXLE	TRANSMISSION	NET PRICE
1	KNAPHEIDE SPECIAL UTILITY BODY 6132D60/40J				
	- 60" BODY HEIGHT DRIVER SSIDE – 40" BODY HEIGHT PASS. SIDE				
	- 54" FLOOR / 94" WIDE / 132" LONG / 20" COMPT. DEPTH				
	- AUTOMOTIVE DOOR SEALS				
	- RECESSED DOOR HANDLES				
	- OVERLAPPING DOORS ON FRONT LEFT COMPTS.				
	- LED STOP, TAIL, TURN LIGHTS				
	- PAINTED FLEET WHITE				
	- STD. SHELVING PACKAGE IN REAR COMPTS.				
	- (7) CTEK PULL OUT DRAWER SYSTEM IN 1ST RIGHT COMPT				
	- MASTER LOCKING SYSTEM				
	- TREADPLATE OVERLAY FOR STRENGTH ON COMPT. BACKS AND RT TOP				
	- (4) TIE DOWNS IN REAR LOAD AREA				
	- 18" WORK SHELF BUMPER W/ VICE BRACKET / 18K CLASS 5 HITCH				
	- BUILT IN TOOLBOX IN BUMPER				
	- CTEK XTRA WIDE 9 DRAWER TOOL BOX IN LEFT FRONT COMPT.				
	- WATER CASK STAND INSTALLED PER CUSTOMER				
1	INSTALL FACTORY FUEL FILL HOSE KITS AND PROVIDE FUEL CUP				
	REFLASH CHASSIS COMPUTER FOR LIGHTING				

PAGE 1

SALESMAN SIGNED: _____ CUSTOMER SIGNED: _____

KOENIG BODY AND EQUIPMENT, INC.

www.koenigbody.com

2428 Farmington Road, Peoria, IL 61604
 Ph.: (309) 673-7435 or (800) 767-7406
 Fax: (309) 673-6836



You name it... We can build it!



ASE Certified
Technicians

QUOTE [X]
 ESTIMATE []
 ORDER []

TO: VILLAGE OF DOWNERS GROVE
 ADDRESS:
 CITY: DOWNERS GROVE, ILL

DATE: 02/18/2026
 PHONE: 452-8392
 FAX:

ATTN: TIM VOS

F-600

84" CA auto

TRUCK QUANTITY	WHEELBASE DESCRIPTION	COLOR	CAB TO AXLE	TRANSMISSION	NET PRICE
	CONTINUED:				
1	PTO-PUMP HYD SYSTEM				
	- 36GAL. HYD TANK IN LOAD AREA				
	- FABRICATE PROTECTIVE STOP IN LOAD AREA TO PROTECT TANK				
	- VALVES/ FLOW CONTROLS TO OPERATE TOOLS				
	- 75FT TWIN HYD. HOSE REEL ON RIGHT COMPT TOP				
	- HYD COUPLERS REAR AND FRONT OF TRUCK FOR HYD. TOOLS				
1	VMAC 150CFM TRUCK ENGINE DRIVIN AIR COMPRESSOR				
	- 30GAL. AUX AIR SUPPLY TANK				
	- AFTER AIR COOLER / WATER SEP. / REGULATER / CHECK VALVE, ETC				
	- AIR SYSTEM DE-ICER FOR COLDER MONTHS				
	- 50FT X 1" HOSE REEL / 1/2" X 50FT HOSE REEL				
1	2000WAT PURE SINE INVERTER W/ HD MAIN BATTERY				
	- 50FT ELECTRIC REEL W/ GFI OUTLETS				
1	INSTALL FACTORY B/U CAMERA				
1	SPRAY LINER IN LOAD AREA AND COMPT. TOPS				

PAGE 2

SALESMAN SIGNED: _____ CUSTOMER SIGNED: _____

